

# Genuine Spare Parts

---



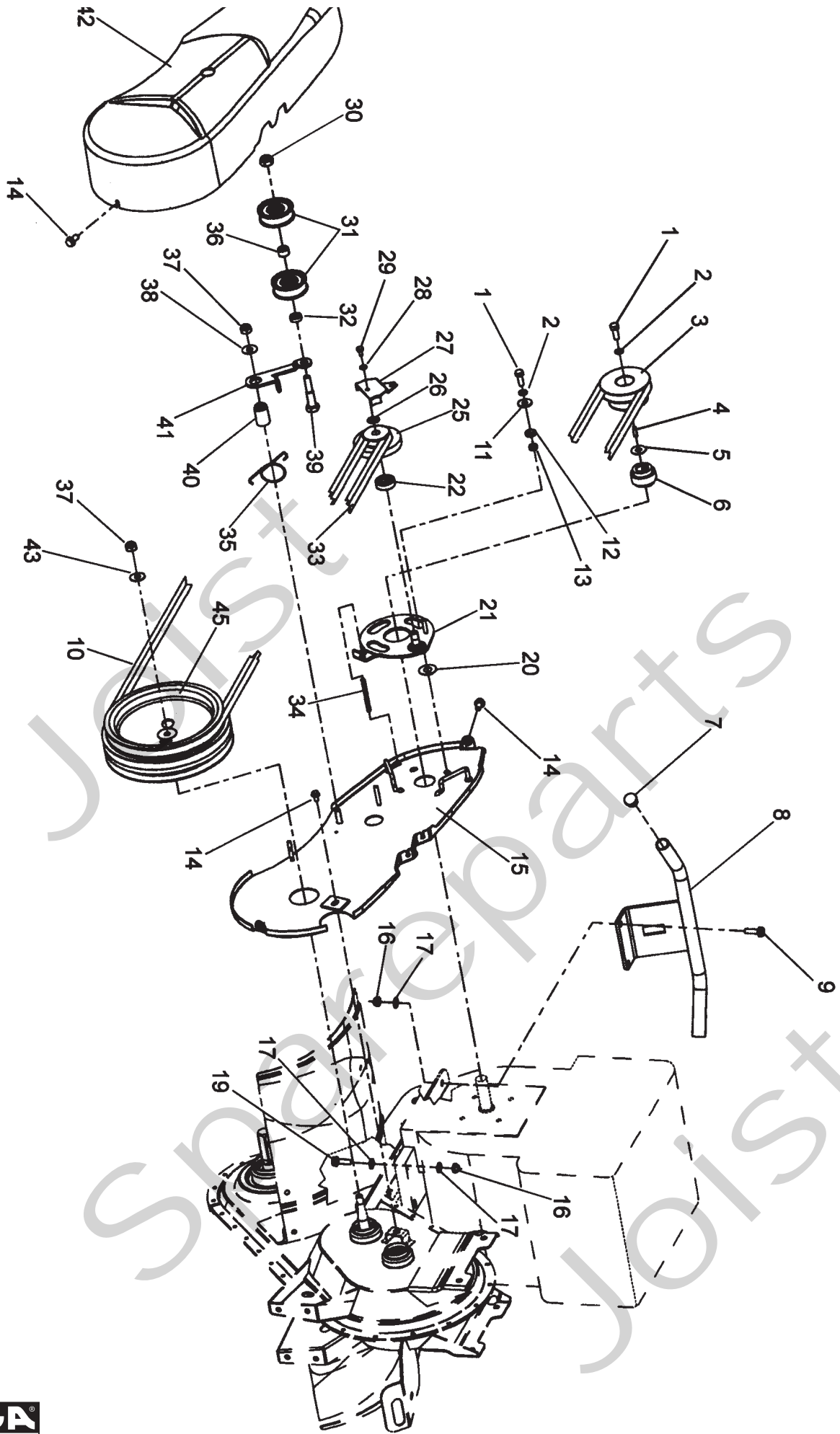
Joist  
Spareparts  
Joist



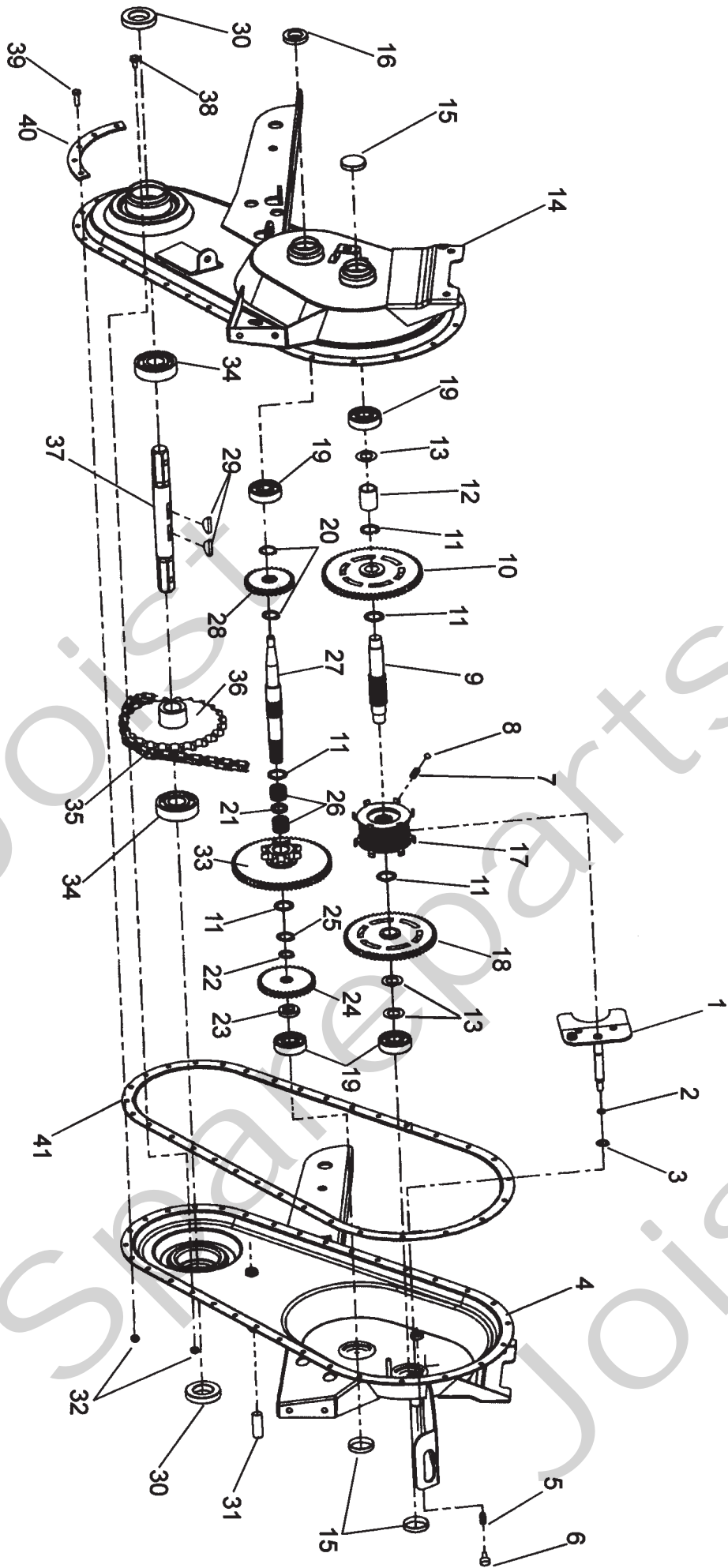
Utgåva Issue		Bildnr Picture No		SILEX 82R- HX JORDFRÄS STYRE		SILEX 82R- HX TILLER HANDLE		Sida Page	
2008- 12		2440						244	
Pos. Fig.	Antal/Quantity				Art nr Part No	Benämning	Description	Sats Kit	Anmärkning Notes
	3141 -11								
X	1	1			1483-2182-01	Panel- gul.....	Panel- yellow.....		
X	1	1			1483-2182-02	Panel- röd.....	Panel- red.....		
X	2	1			1483-2180-01	Panelstag.....	Panel bracket.....		
X	3	1			1483-2278-01	Gasreglage/brytare.....	Throttle lever/switch.....		
X	4	1			1483-2204-01	Kopplingsreglage- back.....	Clutch lever-reverse.....		
	5	1			9699-0028-02	Planbricka.....	Flat washer.....		
	6	2			9747-0831-02	Mutter.....	Lock nut.....		
X	7	1			1483-2248-01	Styre- överdel.....	Handlebar- upper.....		
X	8	2			1483-2213-01	Handtag.....	Grip.....		
	9	2			9747-0631-02	Låsmutter.....	Lock nut.....		
X	10	2			1483-2200-01	Skruv.....	Screw.....		
	11	1			9997-0845-12	Skruv.....	Screw.....		
	12	2			9672-0004-02	Starlock.....	Lock washer.....		
X	13	1			1483-2116-01	Regl.wire- yttre.....	Control cable- outer.....		
X	14	1			1483-2246-01	Reglagewire- back.....	Control cable- reverse.....		
	15	2			9997-0635-12	Skruv.....	Screw.....		
X	16	1			1483-2244-01	Kopplingsreglage- fram.....	Clutch lever- forward.....		
X	17	1			1483-2208-01	Reglagewire- inre.....	Control cable- inner.....		
X	18	1			1483-2211-01	Stoppkabel.....	Stop wire.....		
	19	1			9683-0025-02	Låsbricka.....	Lock washer.....		
	20	1			9747-0631-02	Låsmutter.....	Lock nut.....		
X	21	1			1483-2247-01	Kopplingswire- fram.....	Clutch cable- forward.....		
	22	2			9699-0122-02	Bricka.....	Washer.....		
	23	1			1483-2006-01	Ratt m. mutter.....	Knob w.nut.....		
	24	2			9699-0122-02	Bricka.....	Washer.....		
X	25	2			1483-2245-01	Styrbricka.....	Handlebar washer.....		
	26	1			1483-2046-01	Styrförstärkning.....	Handle reinforcement.....		
	27	1			9997-0811-02	Skruv.....	Screw.....		
	28	1			1483-2045-01	Ratt utan mutter.....	Knob w/o nut.....		
	29	1			9997-0812-02	Skruv.....	Screw.....		
	30	1			1483-2044-01	Låshandtag.....	Handlebar lever.....		
X	31	1			1483-2279-01	Knopp.....	Lever knob.....		
	32	3			1483-2073-01	Tallriksbricka.....	Cup washer.....		
X	33	1			1483-2243-01	Styrfäste- gul.....	Handlebar support- yel.....		
X	33	1			1483-2243-02	Styrfäste- röd.....	Handlebar support- red.....		



Utgåva Issue		Bildnr Picture No		SILEX 82R- HX JORDFRÄS ROTORER		SILEX 82R- HX TILLER TINES		Sida Page	
2008- 12		2441						246	
Pos. Fig.	Antal/Quantity				Art nr Part No	Benämning	Description	Sats Kit	Anmärkning Notes
	3141 -11								
X	1	1			1483-2242-01	Styrfäste- nedre, gul .....	Handle brkt- low, yell.....		
X	1	1			1483-2242-02	Styrfäste- nedre, röd .....	Handle brkt- low, red .....		
	2	4			9747-1031-02	Låsmutter .....	Lock nut .....		
	3	4			9699-0105-02	Bricka .....	Washer.....		
	4	1			9699-0121-02	Planbricka.....	Flat washer.....		
	5	1			9747-1231-02	Låsmutter .....	Lock nut .....		
	6	45			9747-0831-02	Mutter.....	Lock nut .....		
X	7	1			1483-2238-01	Växelspak .....	Gear selector rod .....		
	8	4			9997-1025-16	Skruv .....	Screw.....		
	9	4			9699-0028-02	Planbricka.....	Flat washer.....		
X	10	1			1483-2171-01	Skyddsplåt- hö, gul.....	Guard plate- RH, yello .....		
X	10	1			1483-2171-02	Skyddsplåt- hö, röd .....	Guard plate- RH, red .....		
X	10	1			1483-2172-01	Skyddsplåt- vä, gul .....	Guard plate- LH, yello.....		
X	10	1			1483-2172-02	Skyddsplåt- vä, röd .....	Guard plate- LH, red .....		
X	11	1			1483-2255-01	Skyddsplåt- hö, gul .....	Tine guard- RH, yellow .....		
X	11	1			1483-2255-02	Skyddsplåt- hö, röd .....	Tine guard- RH, red .....		
X	11	1			1483-2256-01	Skyddsplåt- vä, gul .....	Tine guard- LH, yellow .....		
X	11	1			1483-2256-02	Skyddsplåt- vä, röd .....	Tine guard- LH, red .....		
	13	10			9959-0816-16	Skruv .....	Screw.....		
	14	4			9997-0845-12	Skruv .....	Screw.....		
X	15	2			1483-2241-01	Dammskydd .....	Dust protection .....		
	16	2			9699-0122-02	Bricka .....	Washer.....		
X	17	1			1483-2202-01	Sprint.....	Pin .....		
X	18	1			1483-2249-01	Fäste- gul .....	Bracket- yellow.....		
X	18	1			1483-2249-02	Fäste- röd.....	Bracket- red .....		
	19	4			9959-0820-16	Skruv .....	Screw.....		
X	20	1			1483-2250-01	Fäste- gul .....	Depth skid holder- yel .....		
X	20	1			1483-2250-02	Fäste- röd.....	Depth skid holder- red .....		
	21	24			9997-0825-16	Skruv .....	Screw.....		
X	22	12			1483-2259-01	Kniv- hö .....	Tine- RH .....		
X	22	12			1483-2260-01	Kniv- vä .....	Tine- LH.....		
X	23	2			1483-2261-01	Skyddsring .....	Dust protection ring .....		
	24	3			9997-1030-16	Skruv .....	Screw.....		
	25	3			9799-1031-02	Mutter.....	Nut .....		
X	26	1			1483-2251-01	Bromssporre- gul.....	Depth skid- yellow.....		
X	26	1			1483-2251-02	Bromssporre- röd .....	Depth skid- red .....		
X	28	1			1483-2279-01	Knopp .....	Lever knob .....		
	29	1			9598-0002-02	Låsnål .....	Pin lock .....		
X	30	2			1483-2258-01	Knivnav- centrum.....	Tine hub- central .....		
X	31	2			1483-2205-01	Knivnav- yttre.....	Tine hub- outer .....		
	33	2			9997-0840-16	Skruv .....	Screw.....		
X	34	2			1483-2257-01	Sidotallrik .....	Side protection disc .....		

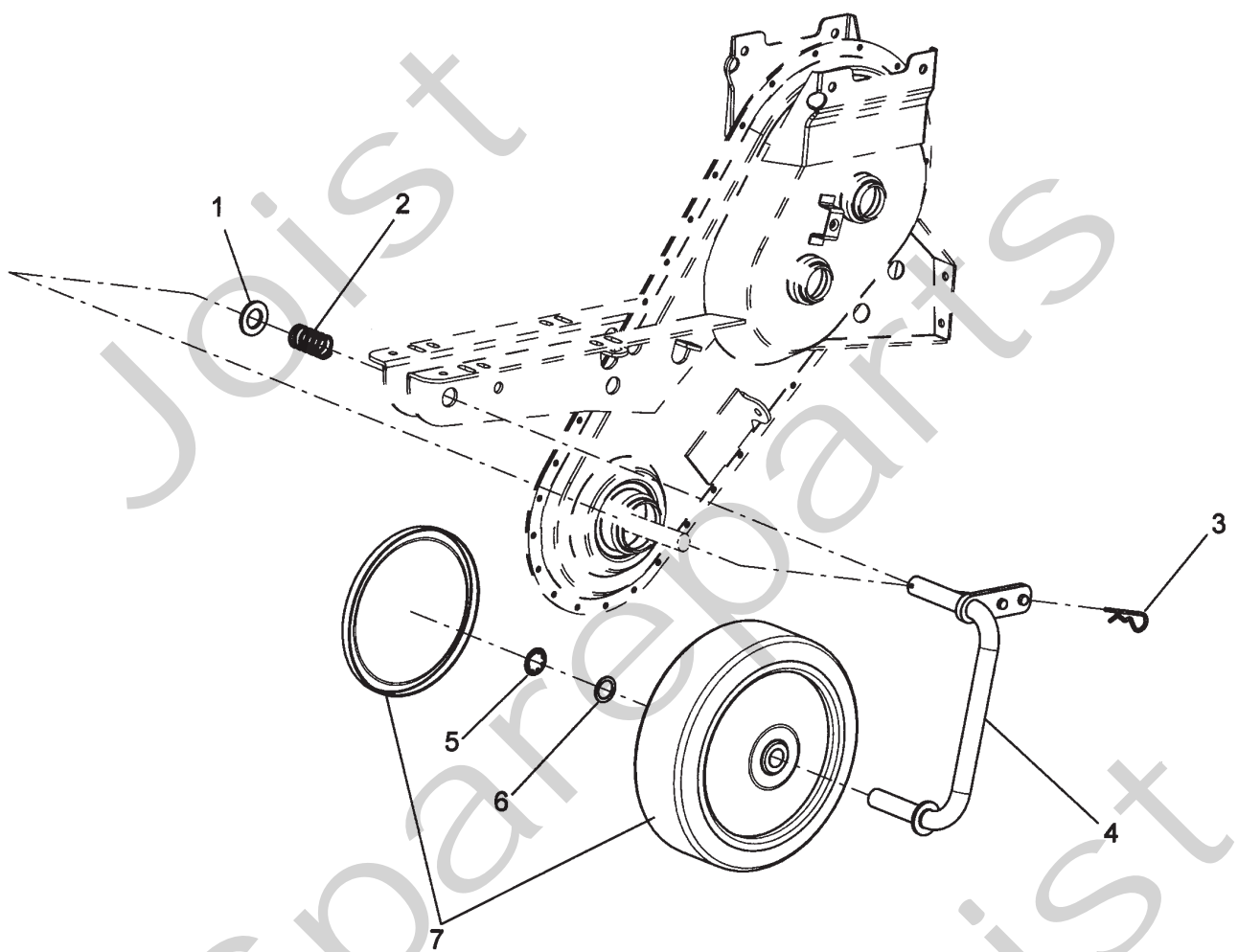


Utgåva Issue		Bildnr Picture No		SILEX 82R- HX JORDFRÄS TRANSMISSION		SILEX 82R- HX TILLER TRANSMISSION		Sida Page	
2008- 12		2442						248	
Pos. Fig.	Antal/Quantity				Art nr Part No	Benämning	Description	Sats Kit	Anmärkning Notes
	3141 -11								
X	1	4			1483-2283-01	Skruv.....	Screw.....		
	2	4			9699-0028-02	Planbricka.....	Flat washer.....		
X	3	1			1483-2270-01	Remskiva.....	Engine pulley.....		
X	4	1			1483-2219-01	Kil.....	Key.....		
X	5	1			1483-2117-01	Distans.....	Spacer.....		
X	6	1			1483-2266-01	Backdrev.....	Reverse gear.....		
X	7	2			1483-2209-01	Lock.....	Plastic cap.....		
X	8	1			1483-2218-01	Stötfångare.....	Bumper.....		
	9	2			9959-0820-16	Skruv.....	Screw.....		
X	10	1			1483-2264-01	Drivrem.....	Drive belt.....		
	11	3			9699-0122-02	Bricka.....	Washer.....		
X	12	3			1483-2269-01	Distans.....	Spacer.....		
X	13	3			1483-2216-01	Bricka.....	Washer.....		
	14	3			9959-0816-16	Skruv.....	Screw.....		
X	15	1			1483-2265-01	Transm.platta- gul.....	Transm.plate- yellow.....		
X	15	1			1483-2265-02	Transm.platta- röd.....	Transm.plate- red.....		
	16	6			9747-0831-02	Mutter.....	Lock nut.....		
	17	8			9699-0028-02	Planbricka.....	Flat washer.....		
	19	2			9997-0835-12	Skruv.....	Screw.....		L = 35 mm
	19	2			9997-0840-16	Skruv.....	Screw.....		L = 40 mm
X	20	3			1483-2217-01	Distans.....	Spacer.....		
X	21	1			1483-2267-01	Spännarm- back.....	Belt tension arm- rev.....		
	22	1			9549-0001-00	Kullager.....	Ball bearing.....		
X	25	1			1483-2175-01	Kugghjul.....	Toothed wheel.....		
X	26	1			1483-2145-01	Distans.....	Spacer.....		
X	27	1			1483-2147-01	Fäste.....	Bracket.....		
	28	1			9683-0025-02	Låsbricka.....	Lock washer.....		
	29	1			9997-0612-16	Skruv.....	Screw.....		
	30	1			9747-1231-02	Låsmutter.....	Lock nut.....		
	31	2			1483-2004-01	Spännrulle.....	Idler pulley.....		
X	32	1			1483-2089-01	Distans.....	Spacer.....		
X	33	1			1483-2263-01	Drivrem.....	Drive belt.....		
X	34	1			1483-2207-01	Fjäder.....	Spring.....		
X	35	1			1483-2157-01	Fjäder.....	Spring.....		
X	36	1			1483-2215-01	Distans.....	Spacer.....		
	37	2			9747-1031-02	Låsmutter.....	Lock nut.....		
	38	1			1483-2020-01	Distans.....	Spacer.....		
X	39	1			1483-2284-01	Skruv.....	Screw.....		
X	40	1			1483-2268-01	Distans.....	Spacer.....		
X	41	1			1483-2214-01	Spännarm- fram.....	Belt tension arm- forw.....		
X	42	1			1483-2239-01	Remskydd.....	Belt cover.....		
	43	1			9699-0105-02	Bricka.....	Washer.....		
X	45	1			1483-2262-01	Remskiva.....	Pulley.....		





Utgåva Issue 2008-12		Bildnr Picture No 2443		SILEX 82R- HX JORDFRÄS VÄXELLÅDA		SILEX 82R- HX TILLER GEARBOX		Sida Page 250	
Pos. Fig.	Antal/Quantity				Art nr Part No	Benämning	Description	Sats Kit	Anmärkning Notes
	3141 -11								
X	1	1			1483-2237-01	Växelförare .....	Selector plate .....		
X	2	1			1483-2275-01	O- ring .....	O- ring .....		
X	3	1			9650-0012-04	Seegersäkring.....	Circlip.....		
X	4	1			1483-2220-01	Växelhus- hö, gul.....	Chain casing- RH, yell .....		
X	4	1			1483-2220-02	Växelhus- hö, röd.....	Chain casing- RH, red .....		
X	5	1			1483-2222-01	Fjäder.....	Spring- oil cap.....		
X	6	1			1483-2212-01	Oljeplugg .....	Oil cap .....		
X	7	2			1483-2201-01	Fjäder.....	Spring .....		
X	8	2			1483-2281-01	Kula .....	Ball .....		
X	9	1			1483-2232-01	Axel .....	Shaft .....		
X	10	1			1483-2235-01	Drev .....	Selector gear .....		Z71
X	11	5			1483-2117-01	Distans .....	Spacer.....		
X	12	1			1483-2236-01	Distans .....	Spacer .....		
X	13	3			1483-2210-01	Distans .....	Spacer .....		
X	14	1			1483-2221-01	Växelhus- vä, gul .....	Chain casing- LH, yell.....		
X	14	1			1483-2221-02	Växelhus- vä, röd .....	Chain casing- LH, red.....		
X	15	3			1483-2272-01	Lock.....	Cap.....		
X	16	1			1483-2274-01	Tätningring .....	Seal ring.....		
X	17	1			1483-2234-01	Drev .....	Selector gear .....		Z34
X	18	1			1483-2233-01	Drev .....	Selector gear .....		Z65
X	19	4			1483-2192-01	Kullager .....	Ball bearing .....		
X	20	2			1483-2271-01	Seegerring .....	Seeger ring .....		
X	21	1			1483-2231-01	Distans .....	Spacer .....		
X	22	1			9650-0017-04	Låsring .....	Retaining ring .....		
X	23	1			1483-2203-01	Distans .....	Spacer .....		
X	24	1			1483-2230-01	Drev .....	Gear .....		Z40
X	25	1			9650-0019-04	Låsring .....	Retainer ring .....		
X	26	2			1483-2276-01	Nållager .....	Needle roller.....		
X	27	1			1483-2227-01	Axel .....	Grooved shaft .....		
X	28	1			1483-2228-01	Drev .....	Gear .....		Z34
X	29	2			1483-2206-01	Kil .....	Key .....		
X	30	2			1483-2273-01	Tätningring .....	Seal ring .....		
X	31	1			1483-2282-01	Oljeplugg .....	Oil cap .....		
X	32	32			9747-0631-02	Låsmutter .....	Lock nut .....		
X	33	1			1483-2229-01	Drev .....	Pinion+gear.....		Z71
X	34	2			1483-2277-01	Kullager .....	Ball bearing .....		
X	35	1			1483-2226-01	Kedja .....	Chain .....		
X	36	1			1483-2225-01	Kedjehjul.....	Sprocket.....		
X	37	1			1483-2224-01	Rotoraxel.....	Tine shaft .....		
X	38	27			9959-0612-16	Skruv .....	Screw.....		
X	39	5			9997-0620-16	Skruv .....	Screw.....		
X	40	2			1483-2223-01	Skydd- gul .....	Casing protection- yel .....		
X	40	2			1483-2223-02	Skydd- röd .....	Casing protection- red.....		
X	41	1			1483-2240-01	Packning.....	Gasket.....		



Utgåva Issue		Bildnr Picture No		SILEX 82R- HX JORDFRÄS STÖDHJUL		SILEX 82R- HX TILLER SUPPORT WHEEL		Sida Page	
2008- 12		2444						252	
Pos. Fig.	Antal/Quantity				Art nr Part No	Benämning	Description	Sats Kit	Anmärkning Notes
	3141 -11								
X	1	1			9699-0119-02	Bricka .....	Washer.....		
X	2	1			1483-2252-01	Fjäder.....	Spring .....		
X	3	1			9598-0002-02	Låsnål.....	Pin lock .....		
X	4	1			1483-2254-01	Stödhjulsfäste.....	Support wheel brkt.....		
X	5	1			1483-2280-01	Låsbricka .....	Lock washer .....		
X	6	1			1483-2117-01	Distans .....	Spacer.....		
X	7	1			1483-2253-01	Stödhjul .....	Support wheel.....		